

# Instructions for Changing Your Filter

## Stainless Steel Below Sink Models

To maintain your warranty and for optimum performance of your Multi-Pure Drinking Water System, filters should be replaced at least once a year.



# Instructions for Changing Your Filter

1. Remove plastic wrapper and instruction wrap.



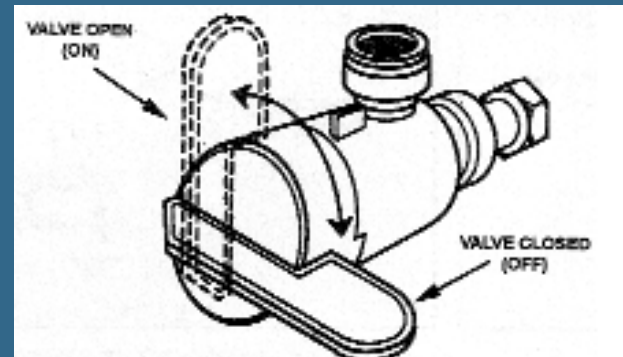
# Instructions for Changing Your Filter

2. It may be advisable to place a pan beneath the housing before opening it.



# Instructions for Changing Your Filter

3. Turn off water going to the Drinking Water System by turning the handle on the shutoff valve under your sink or turn off water at the water shutoff valve where water enters your residence.



(your valve may be different than those pictured – depending on model)

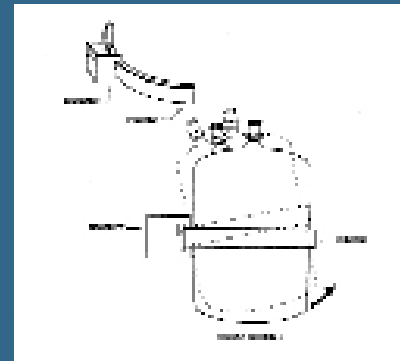
# Instructions for Changing Your Filter

4. Open drinking water faucet to relieve pressure.



# Instructions for Changing Your Filter

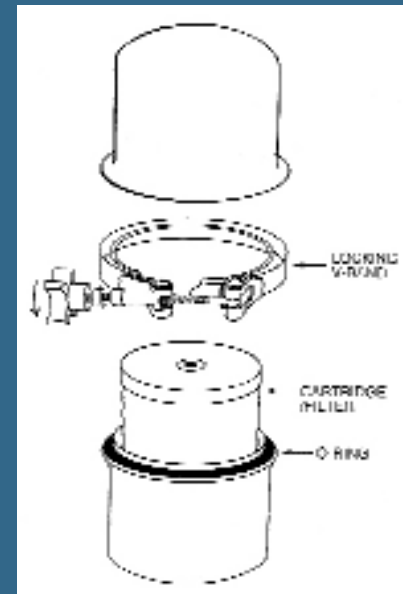
5. Remove Drinking Water System (Unit) from bracket (if mounted) by tilting the top of the Unit towards the wall and slide locking V- band of unit up and into upper notch; slide unit out of bracket.





# Instructions for Changing Your Filter

6. With the housing in an upright position, open the unit by unscrewing the black knob on the Locking V-Band; spread it apart and remove the Locking V-Band.
7. Separate the unit, leaving the black O-Ring in place.



# Instructions for Changing Your Filter

8. Remove the old filter (cartridge) from the unit housing by turning the cartridge clockwise.





# Instructions for Changing Your Filter

9. Wrap the used filter in paper and dispose of it in your normal refuse.



# Instructions for Changing Your Filter

10. Clean and rinse out the inside of the housing.



# Instructions for Changing Your Filter

11. Inspect the black or white rubber cushion; it is recommended that the cushion be replaced every two to three years. To order a replacement part, request product code No. MC252. The new part is black.



# Instructions for Changing Your Filter

12. Screw new filter (cartridge) in the housing top by turning the cartridge counter clockwise, **DO NOT OVERTIGHTEN**.



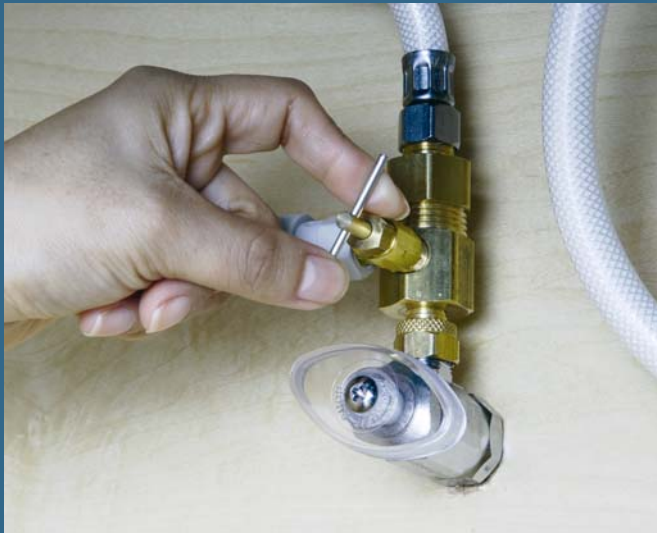
# Instructions for Changing Your Filter

13. Reconnect the housing top with bottom and replace Locking V-Band; replace black knob and turn until tight.
14. Be sure that the Locking V-Band is fastened tightly by:
  - a. Check the V-Band to confirm that it is secured evenly around the housing top and bottom.
  - b. Hand-tighten the black knob on the V-Band until it is as tight as possible.



# Instructions for Changing Your Filter

15. Turn on water going to the Drinking Water System (unit) and start the flow of water through the unit.
16. Allow water to run through the unit faucet for about 5 minutes so that all air can escape.





# Instructions for Changing Your Filter

17. Then turn off the water to the faucet. A small quantity of water may flow from the drinking water faucet for about 10 to 20 seconds after you shut off water.
18. Check all connections to confirm that there are no leaks.
19. Flush the filter and charge the carbon by allowing water to run to waste for about twenty (20) minutes.
20. Shut off the flow of water through the Drinking Water System. A small quantity of water may flow from the faucet for about 10 to 20 seconds.
21. Check for leaks.





# Instructions for Changing Your Filter

MP1200EL/MP880EL units use a capacity monitor --  
for instructions on resetting the capacity monitor,  
please refer to your owner's manual



# Instructions for Changing Your Filter

You now will have peace of mind knowing that your drinking water is safer and healthier



Be sure to replace your filter at least once a year or more often if necessary. Put a reminder on your calendar, bulletin board, or refrigerator to help you remember when it is time to order a new filter.

